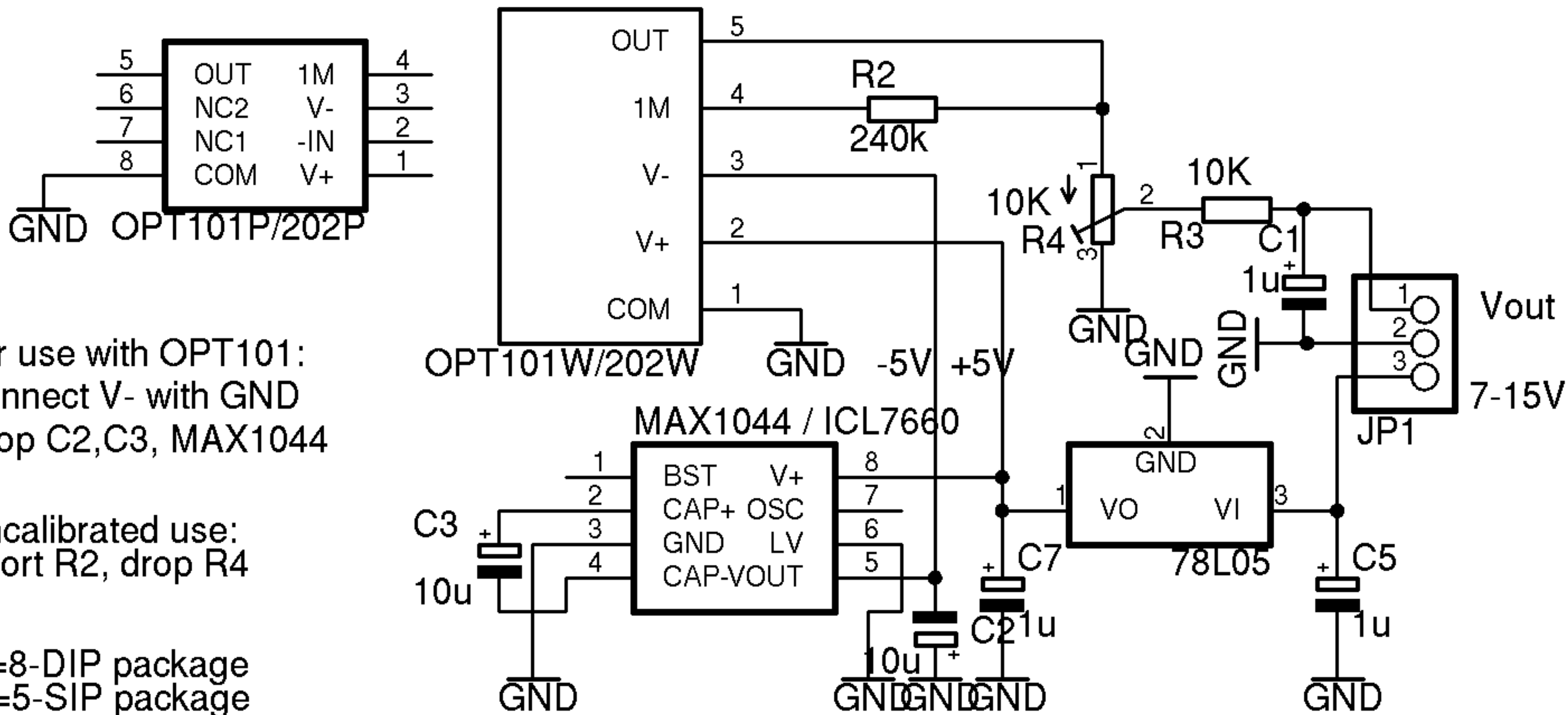


OPT101/202 based light sensor

WL Vers 1.1/ 04-2005



for use with OPT101:
connect V- with GND
drop C2,C3, MAX1044

uncalibrated use:
short R2, drop R4

P=8-DIP package
W=5-SIP package